

## POLO

Mixer Taps

Code: R525 A00

MITIGEUR POLO



### DETAILS

Mixer type	Single lever mixer tap with rotating barrel and flexible shower, with stainless steel covering.
Material	AISI 304 stainless steel
Texture	Brushed in line
Rotating angle	360°
Strengthening plate	ø50 mm
Cartridge	With ceramic discs
Mixer hole	ø35 mm
Max worktop thickness	40mm

### FEATURES

Double jet (flow and rain)

Several models are equipped with a switch to easily change the flow from continuous to shower.

---

Rotating angle

All the taps have a wide angle of rotation. Some models even permit a full 360° rotation.

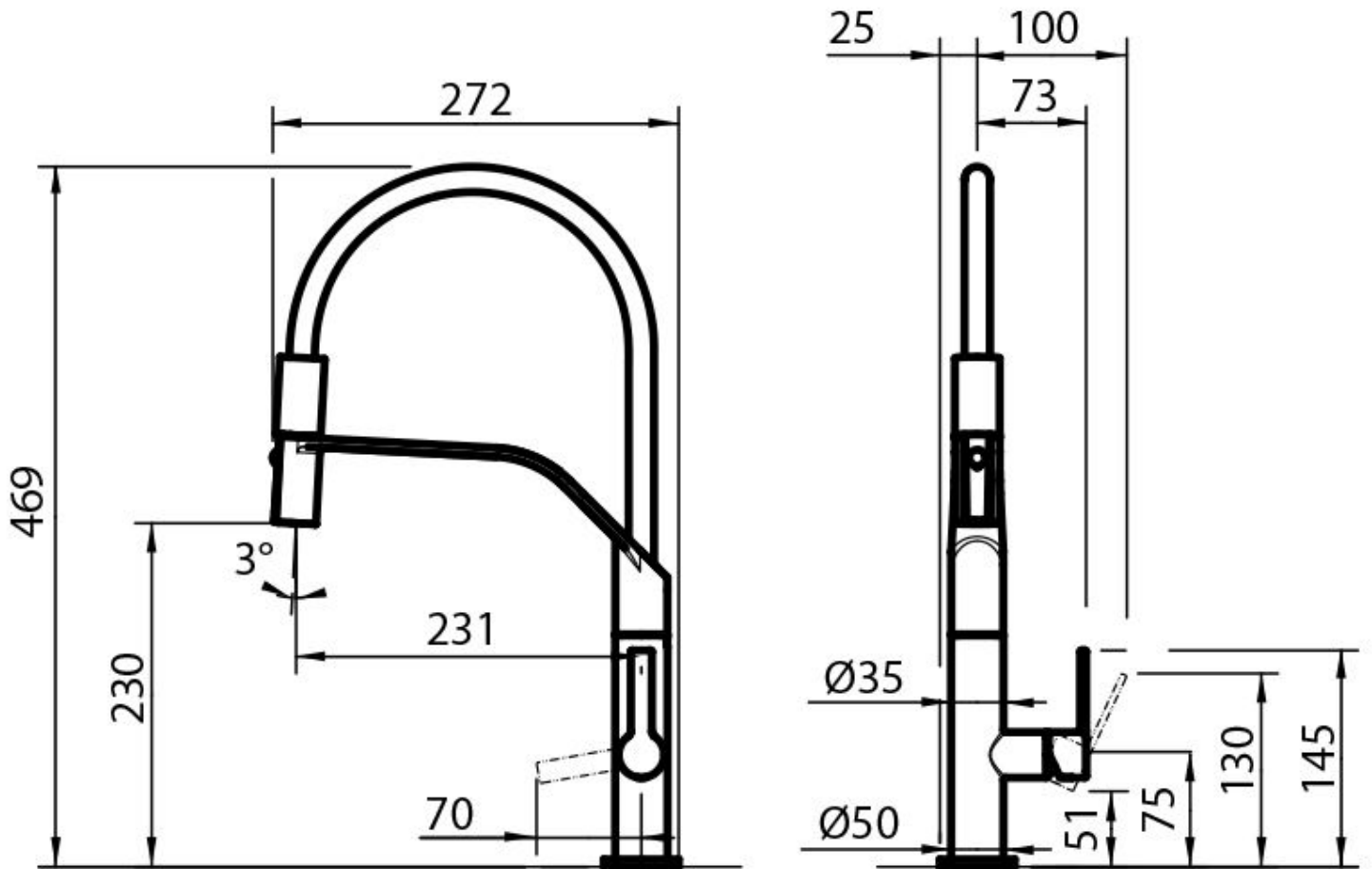
---

Strengthening plate

Foster's mixer taps are equipped with the strengthening plate that offers perfect stability on any sink.

---

## TECHNICAL DATA



## GALLERY

