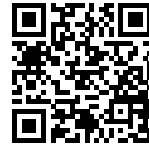


ARCO GUN METAL

Mixer Taps

Code: R491 A06

MITIGEUR ARCO GUN METAL



DETAILS

Mixer type Single lever mixer tap with rotating barrel.

Coloring Gun Metal

Material Brass

Texture Brushed in line

Rotating angle 140°

Strengthening plate ø45mm

Cartridge With ceramic discs

Mixer hole ø35 mm

Max worktop thickness 55mm

FEATURES

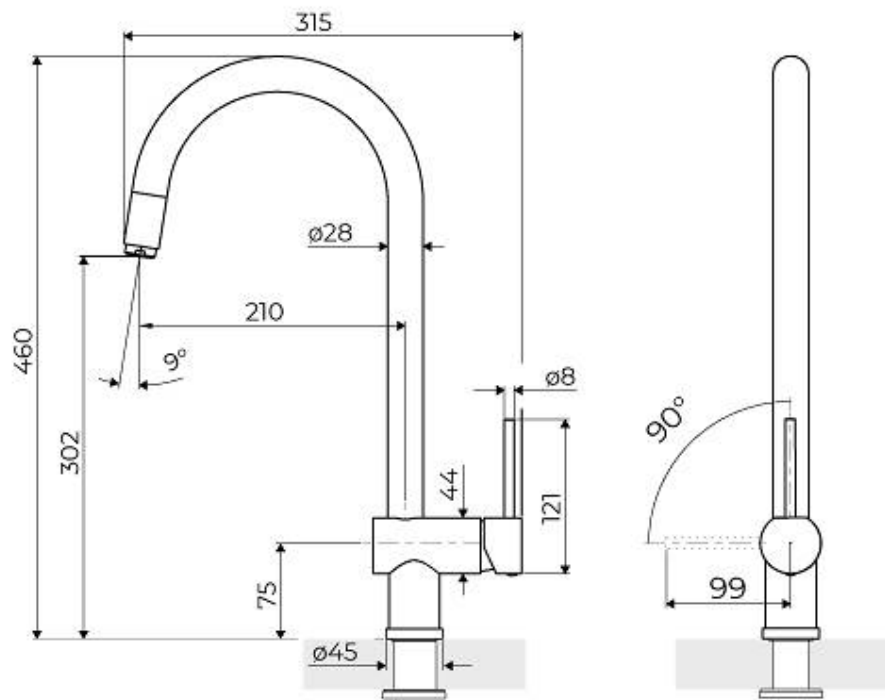
Rotating angle

All the taps have a wide angle of rotation. Some models even permit a full 360° rotation.

Strengthening plate

Foster's mixer taps are equipped with the strengthening plate that offers perfect stability on any sink.

TECHNICAL DATA



GALLERY

