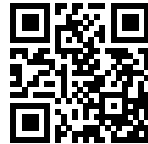


NILO

Mixer Taps

Code: R486 F00

MITIGEUR NILO



DETAILS

Mixer type Single lever mixer tap with rotating barrel.

Material Brass

Texture Chromed

Rotating angle 360°

Strengthening plate ø50 mm

Cartridge With ceramic discs

Mixer hole ø35 mm

Rear encumbrance 40mm

Max worktop thickness 40mm

FEATURES

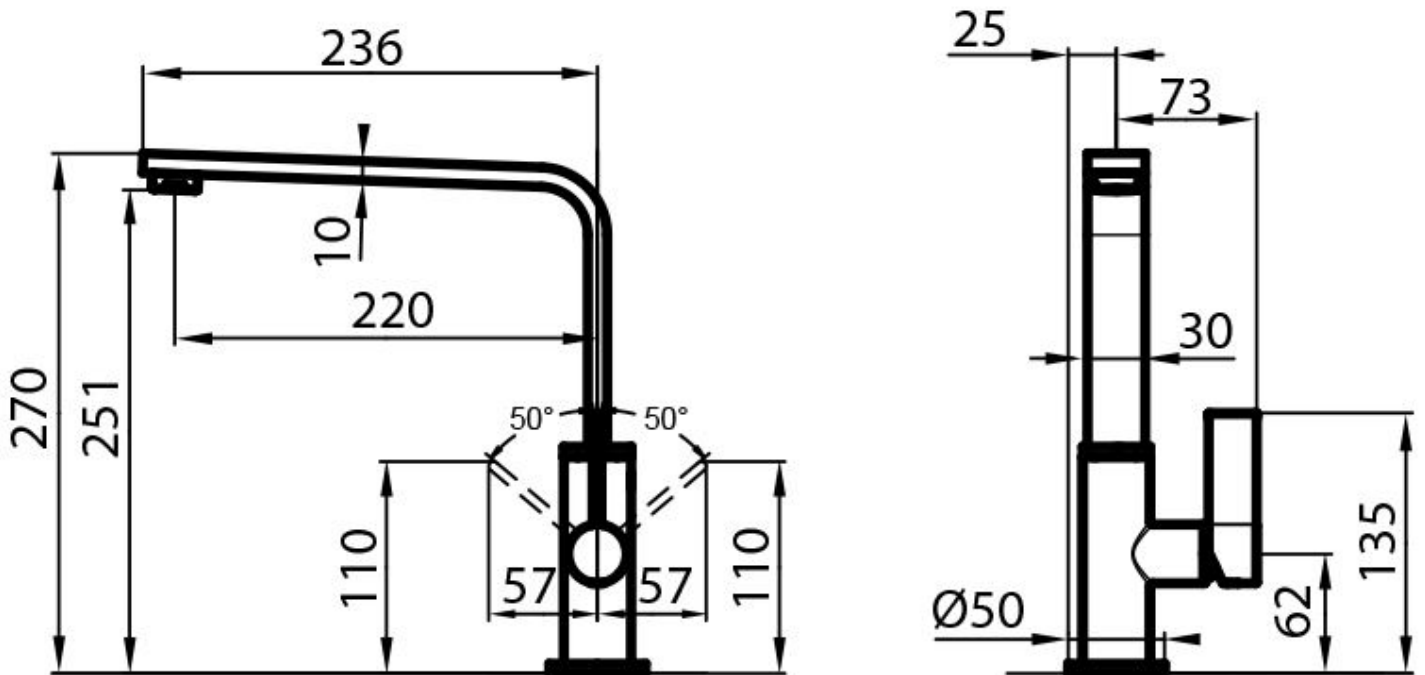
Rotating angle

All the taps have a wide angle of rotation. Some models even permit a full 360° rotation.

Strengthening plate

Foster's mixer taps are equipped with the strengthening plate that offers perfect stability on any sink.

TECHNICAL DATA



GALLERY

