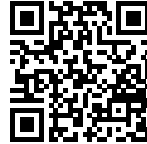


## OPERA H25

Kitchen Sinks

Code: N625 F00



### DETAILS

Edge/Installation Type

Rim h25 mm

Material

AISI 304 stainless steel

Texture

Brushed in line

Base

90 cm

Dimensions

880 x 518 mm

Standard fittings

Fixing hooks, gasket, drain, overflow and siphon, boxed packing

Mixer holes

2 standard holes - 3rd hole on request

Built-in hole

View technical data sheet

Drainer

No

Number of bowls 1 bowl

---

Waste fitting 3,5" drain

---

## EQUIPMENT

1 x Space Push automatic  
waste fitting 8407 121

---

## FEATURES

**Deep bowls** This bowls reach an important depth, over 20 cm, thanks to the advanced production technology, that can be offer great capieny and practicity in all the washing operations.

---

**High thickness** 1mm thick steel. A significant thickness, which guarantees the maximum sturdiness and durability.

---

**Perimetral overflow** The overflow is always a security on the Foster sinks that prevents the overflow of water in case of oversights. The perimeter drain solution improves aesthetics thanks to its square and essential shape.

---

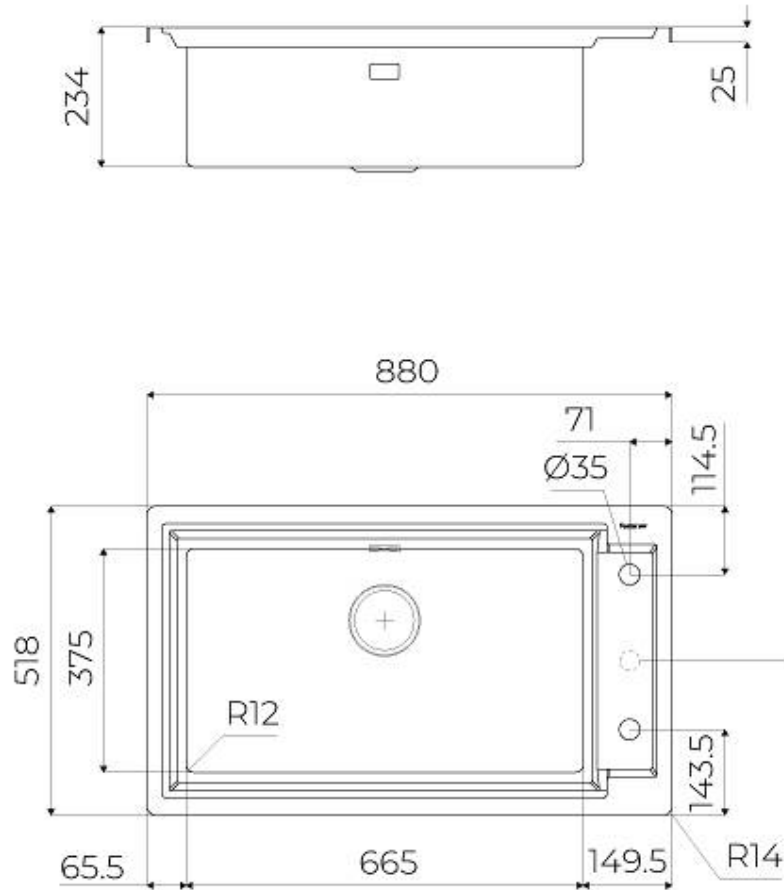
**Small radius** Bowls with squared shapes with a modern design and an increased capacity, for a minimal aesthetics connected with an extreme practicity.

---

**Space waste fitting** The elegant SPACE steel cap closes the drain and leaves no visible residues collected in the basket below. Space also has a small footprint and allows the optimal use of the under-sink compartment.

---

## TECHNICAL DATA





## GALLERY

NIVEAU1



NIVEAU2



NIVEAU3



## EQUIPMENT



**GRILLE NOIRE POUR EVIERS  
OPERA**  
A100 E06



**GRILLE NOIRE POUR EVIERS  
OPERA**  
A100 E07



**VIDAGE FADE PUSH INOX**  
A407 A16