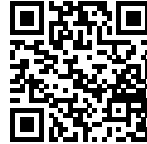


## OPERA COPPER



Kitchen Sinks

Code: N602 F08



### DETAILS

Coloring Copper

---

Edge/Installation Type Flush-mount | Top-mount

---

Material AISI 304 stainless steel

---

Texture Brushed in line

---

Base 90 cm

---

Dimensions 873x513 mm

---

Standard fittings Fixing hooks, gasket, drain, overflow and siphon, boxed packing

---

Mixer holes 2 standard holes - 3rd hole on request

---

Built-in hole View technical data sheet

---

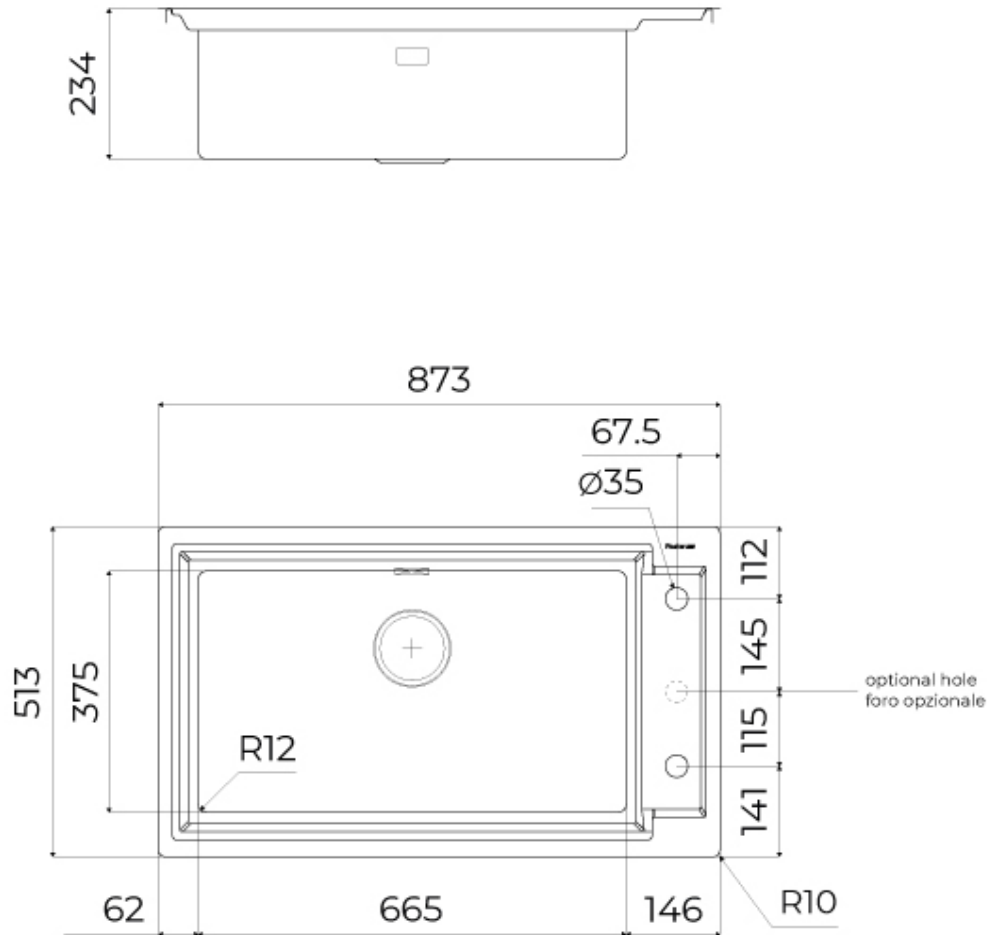
Drainer	No
Number of bowls	1 bowl
Waste fitting	Drain with automatic control SPACE (PUSH)

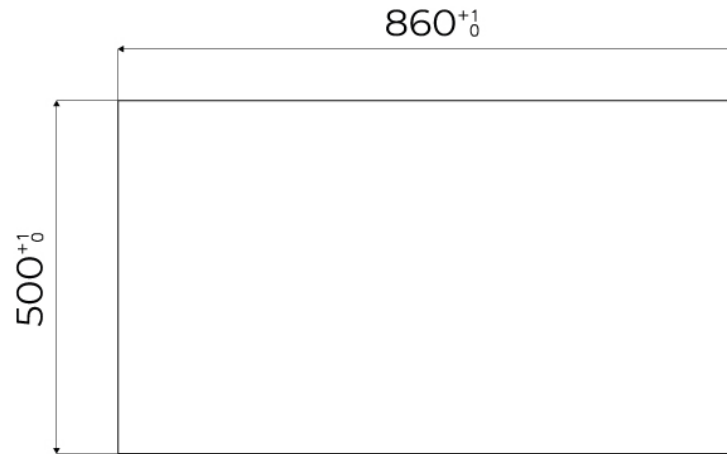
## EQUIPMENT

## FEATURES

Deep bowls	This bowls reach an important depth, over 20 cm, thanks to the advanced production technology, that can be offer great capieny and practicity in all the washing operations.
High thickness	1mm thick steel. A significant thickness, which guarantees the maximum sturdiness and durability.
Perimetral overflow	The overflow is always a security on the Foster sinks that prevents the overflow of water in case of oversights. The perimeter drain solution improves aesthetics thanks to its square and essential shape.
Small radius	Bowls with squared shapes with a modern design and an increased capacity, for a minimal aesthetics connected with an extreme practicity.
Space waste fitting	The elegant SPACE steel cap closes the drain and leaves no visible residues collected in the basket below. Space also has a small footprint and allows the optimal use of the under-sink compartment.

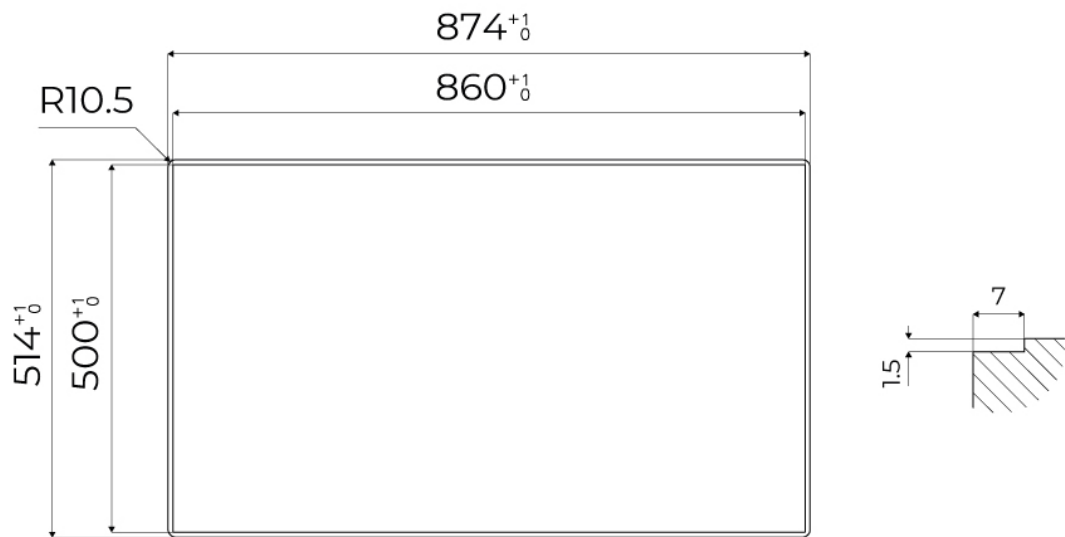
## TECHNICAL DATA



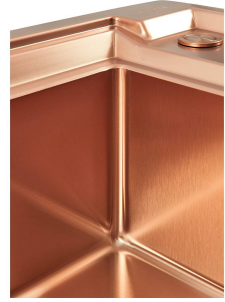
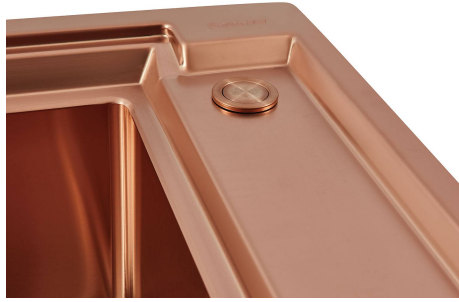


FTS - cut out

FT - cut out



## GALLERY



## EQUIPMENT



**GRILLE NOIRE POUR EVIERS  
OPERA**  
A100 E06



**GRILLE NOIRE POUR EVIERS  
OPERA**  
A100 E07



**VIDAGE FADE PUSH COPPER**  
A407 A22