

OPERA

Kitchen Sinks

Code: N602 F00



DETAILS

Edge/Installation Type	Flush-mount Top-mount
Material	AISI 304 stainless steel
Texture	Brushed in line
Base	90 cm
Dimensions	873x513 mm
Standard fittings	Fixing hooks, gasket, drain, overflow and siphon, boxed packing
Mixer holes	2 standard holes - 3rd hole on request
Built-in hole	View technical data sheet
Drainer	No

Number of bowls 1 bowl

Waste fitting Drain with automatic control SPACE (PUSH)

EQUIPMENT

1 x Space Push automatic waste fitting 8407 121

FEATURES

Deep bowls This bowls reach an important depth, over 20 cm, thanks to the advanced production technology, that can be offer great capiciency and practicity in all the washing operations.

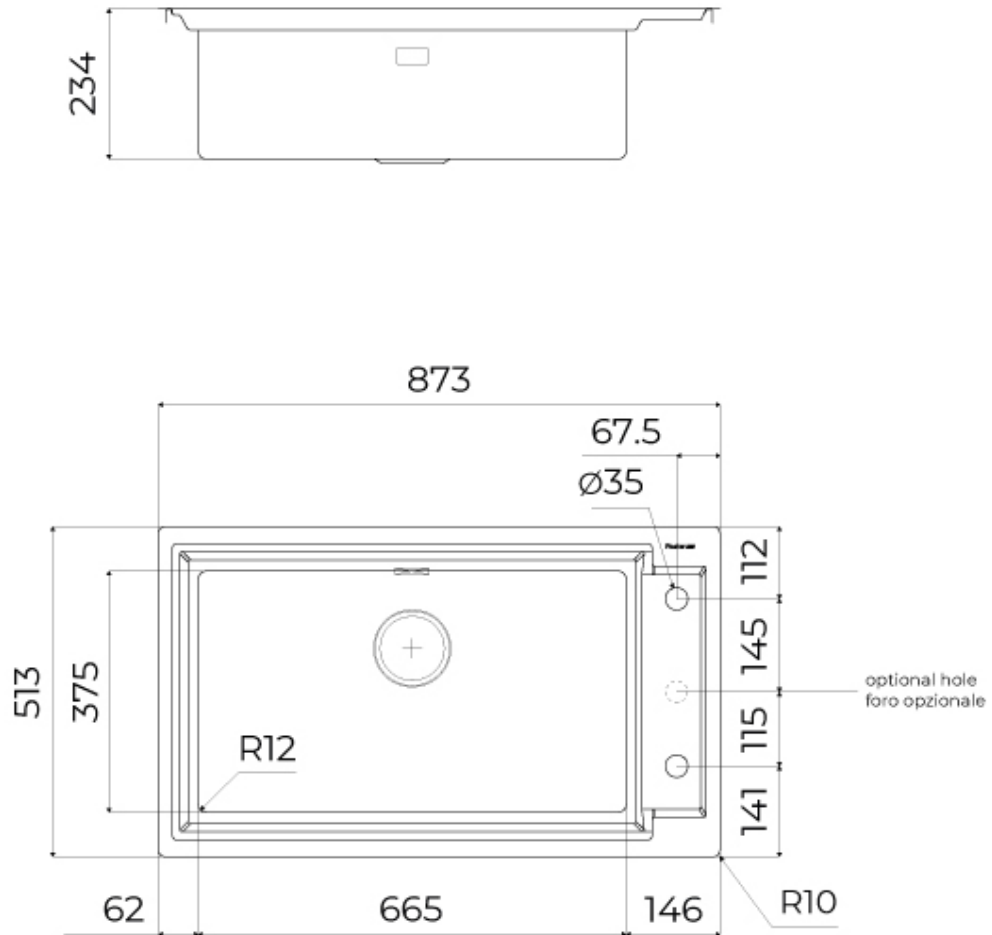
High thickness 1mm thick steel. A significant thickness, which guarantees the maximum sturdiness and durability.

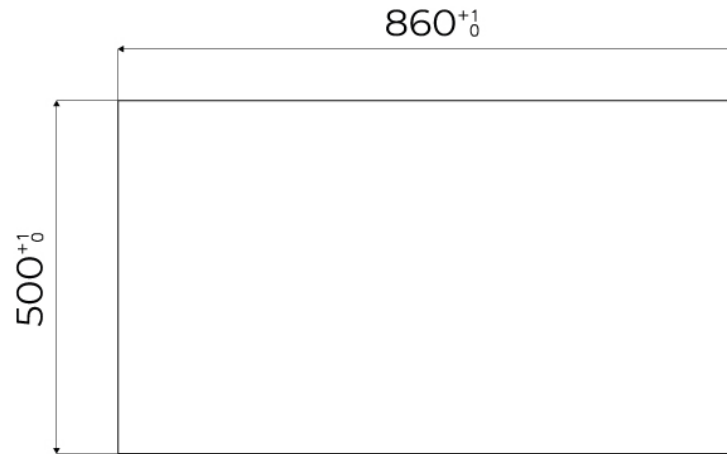
Perimetral overflow The overflow is always a security on the Foster sinks that prevents the overflow of water in case of oversights. The perimeter drain solution improves aesthetics thanks to its square and essential shape.

Small radius Bowls with squared shapes with a modern design and an increased capacity, for a minimal aesthetics connected with an extreme practicity.

Space waste fitting The elegant SPACE steel cap closes the drain and leaves no visible residues collected in the basket below. Space also has a small footprint and allows the optimal use of the under-sink compartment.

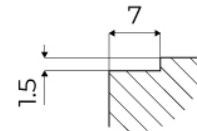
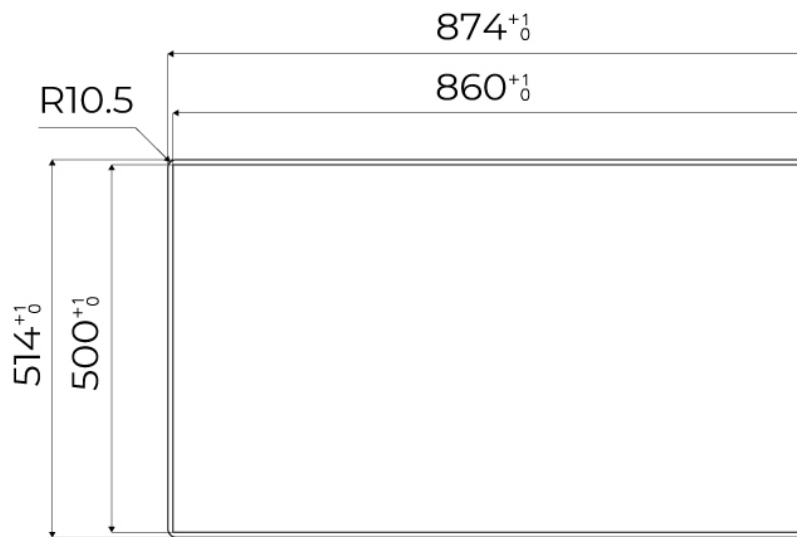
TECHNICAL DATA





FTS - cut out

FT - cut out



GALLERY



EQUIPMENT



**GRILLE NOIRE POUR EVIERS
OPERA**
A100 E06



**GRILLE NOIRE POUR EVIERS
OPERA**
A100 E07



VIDAGE FADE PUSH INOX
A407 A16