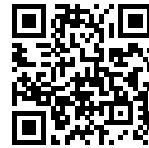


## INTRIGO 800 GUN METAL SOUS PLAN

Kitchen Sinks

Code: N458 S46

VASCA INTRIGO mm 800x400 R12 SOUSPLAN GUNMETAL



### DETAILS

Coloring Gun Metal

---

Edge/Installation Type Undermount

---

Finish PVD

---

Material AISI 304 stainless steel

---

Texture Foster brushed

---

Base 90 cm

---

Dimensions 840 x 440 mm

---

Standard fittings Fixing hooks, gasket, drain, overflow and siphon, boxed packing

---

Mixer holes No standard holes

Built-in hole [View technical data sheet](#)

---

Drainer No

---

Width 84 cm

---

Bowl dimension 800 x 400 mm

---

Number of bowls 1 bowl

---

Waste fitting Drain SPACE 3,5"

---

Notes: As the product consists of a single seamless steel surface with no gaps or interstices, the use of garbage disposal and waste fitting with automatic control is not permitted.

---

## FEATURES

**Gun Metal** The Gun Metal finish is obtained by treating steel with a physical process called PVD (Physical Vacuum Deposition) which deposits particles of noble metals on the surface. The result is a unique and refined aesthetic effect, and an improvement of the mechanical properties of the steel which is more resistant to impact and scratches.

---

**ONE SEAMLESS STEEL SURFACE** The waste-fitting and overflow are moulded on the sink. The product is therefore made out of one seamless steel surface, without gaps or interstices. A great plus in terms of hygiene.

---

**Deep bowls** This bowls reach an important depth, over 20 cm, thanks to the advanced production technology, that can be offer great capieny and practicity in all the washing operations.

---

**High thickness** 1mm thick steel. A significant thickness, which guarantees the maximum sturdiness and durability.

---

**Perimetral overflow** The overflow is always a security on the Foster sinks that prevents the overflow of water in case of oversights. The perimeter drain solution improves aesthetics thanks to its square and essential shape.

---

## Save space system

Drain and siphon are designed to leave as much space as possible in the under-sink area, more and more useful today for theseparate waste collection systems.

---

## Small radius

Bowls with squared shapes with a modern design and an increased capacity, for a minimal aesthetics connected with an extreme praticity.

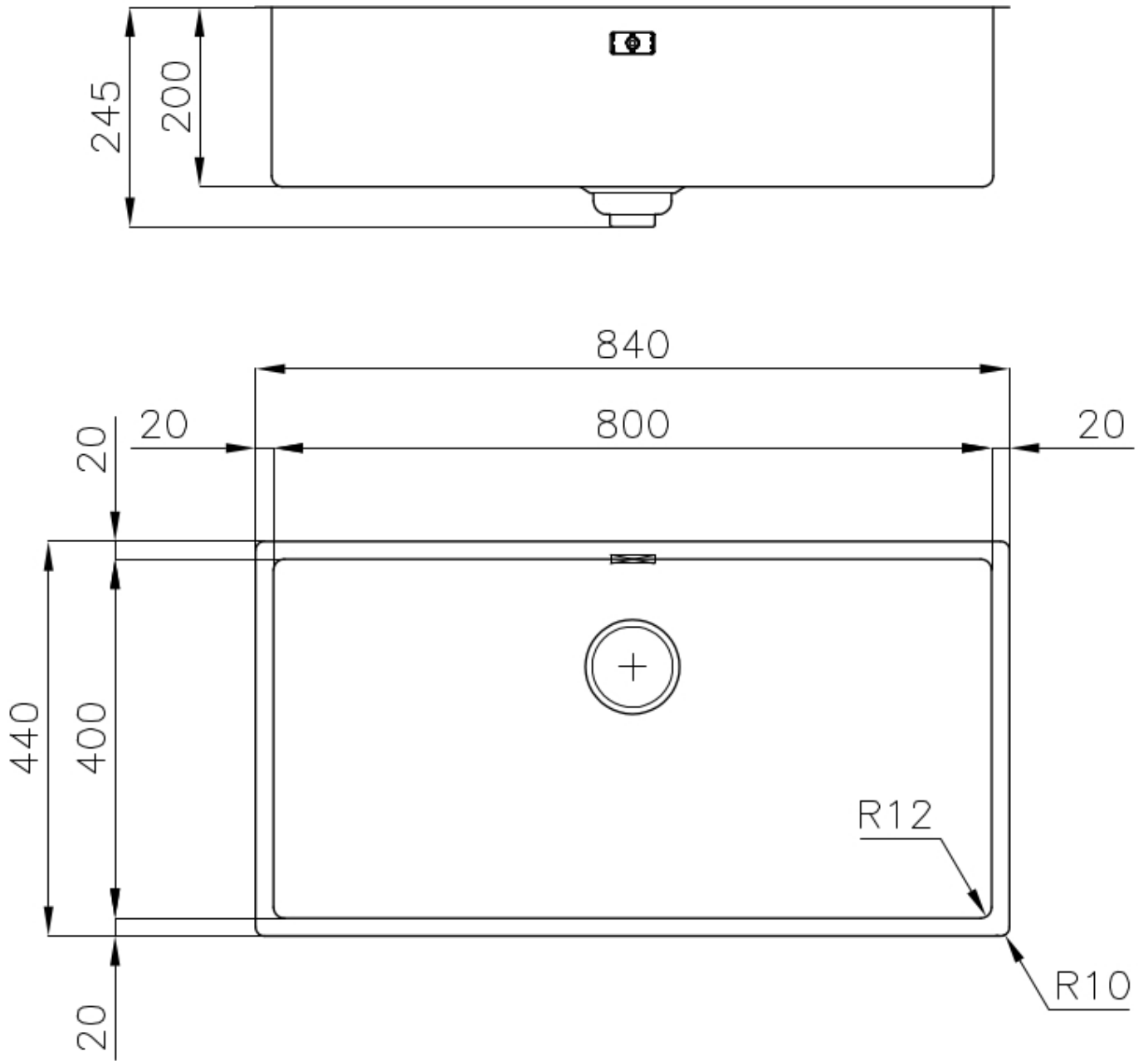
---

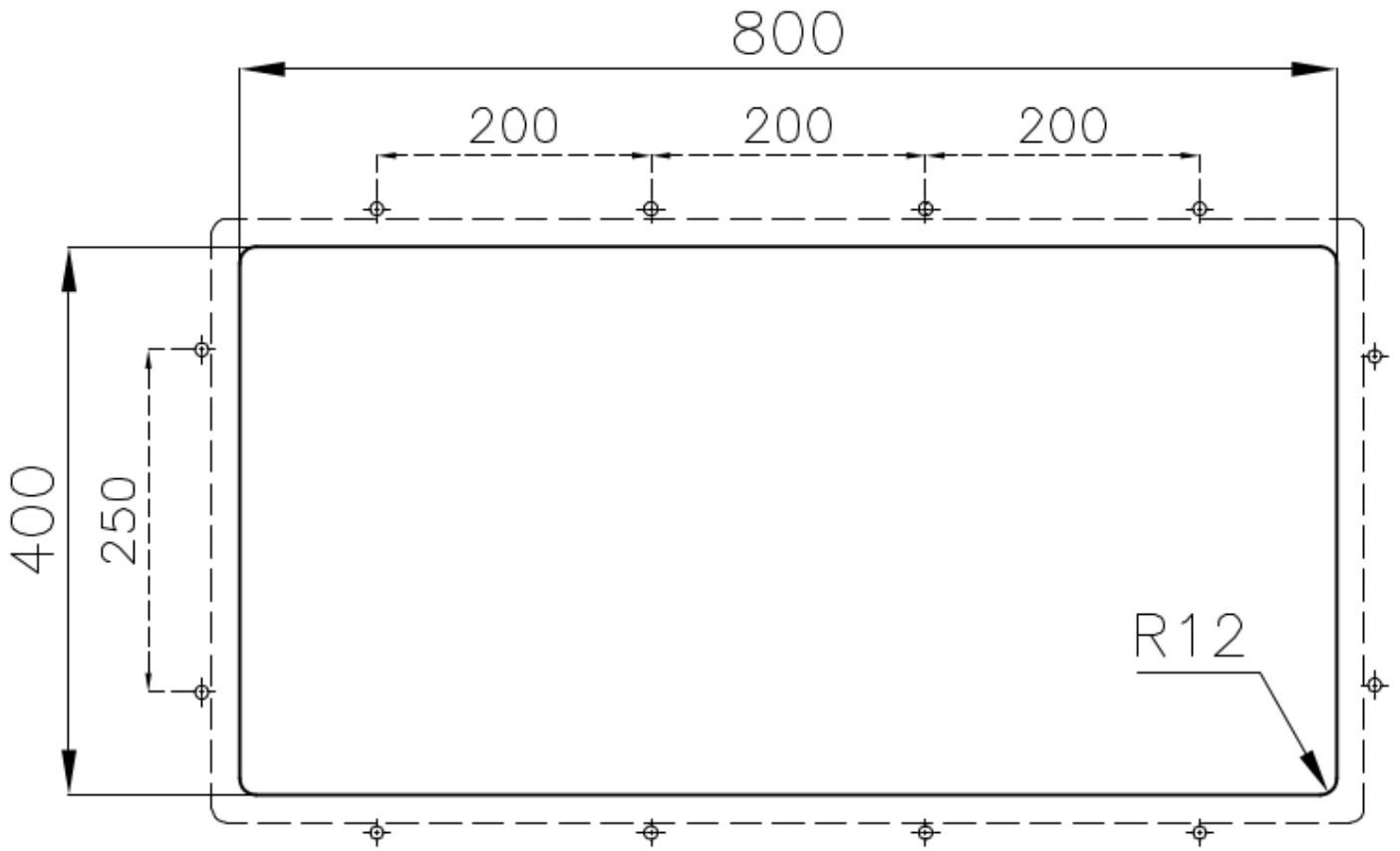
## Space waste fitting

The elegant SPACE steel cap closes the drain and leaves no visible residues collected in the basket below. Space also has a small footprint and allows the optimal use of the under-sink compartment.

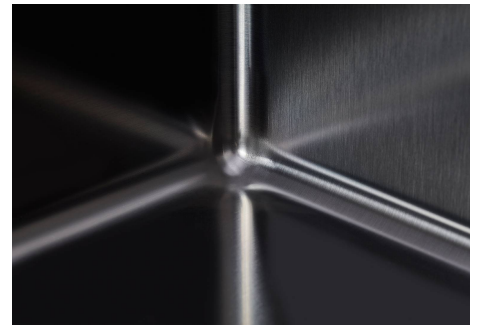
---

## TECHNICAL DATA





## GALLERY



## OPTIONAL ACCESSORIES



**CUVETTE PERFOREE INOX**

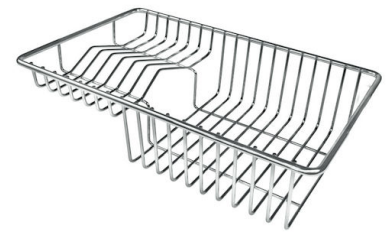
A154 F00

\* only in combination with the accessory  
A644 F04



**CUVETTE PLASTIQUE BLANCHE**

A153 A00



**GRILLE POR.ASSIETTES INOX**

**mm214x379**

A100 C03

\* only in combination with the accessory  
A644 A01



**GRILLE PORTE-ASSIETTES INOX**

**250x425**

A100 B01



**GRILLE PORTE-ASSIETTES INOX**

**25x35**

A100 A54

\* only in combination with the accessory  
A644 F04



**PLANCHE DE DECOUPE CRYSTAL**

**23x41 CM**

A631 C00



**PLANCHE DE DECOUPE DOUBLE  
HDPE**  
A644 A01



**PLANCHE DE DECOUPE DOUBLE  
IROKO**  
A644 F04



**CUVETTE INOX PERFOREE**  
A151 F00  
\* only in combination with the accessory  
A644 A01



**KIT RÂPES ET PLANCHE DE  
DECOUPE HDPE**  
A159 A01  
\* only in combination with the accessory  
A644 A01



**PANIER INOX POUR CUVE 34x40  
CM**  
A611 F00



**PLANCHE DE DECOUPE DOUBLE  
IROKO**  
A644 F44

## RECOMMENDED PAIRINGS



**INCISO GUN METAL**  
R424 S56