

INTRIGO 400 GUN METAL

Kitchen Sinks

Code: N456 F46

VASCA INTRIGO mm 400x400 R12 À FLEUR GUNMETAL



DETAILS

Coloring Gun Metal

Edge/Installation Type Flush-mount | Top-mount

Finish PVD

Material AISI 304 stainless steel

Texture Foster brushed

Base 45 cm

Dimensions 440x440 mm

Standard fittings Fixing hooks, gasket, drain, overflow and siphon, boxed packing

Mixer holes No standard holes

Built-in hole [View technical data sheet](#)

Drainer No

Width 44 cm

Bowl dimension 400 x 400 mm

Number of bowls 1 bowl

Waste fitting Drain SPACE 3,5"

Notes: As the product consists of a single seamless steel surface with no gaps or interstices, the use of garbage disposal and waste fitting with automatic control is not permitted.

FEATURES

Gun Metal The Gun Metal finish is obtained by treating steel with a physical process called PVD (Physical Vacuum Deposition) which deposits particles of noble metals on the surface. The result is a unique and refined aesthetic effect, and an improvement of the mechanical properties of the steel which is more resistant to impact and scratches.

ONE SEAMLESS STEEL SURFACE The waste-fitting and overflow are moulded on the sink. The product is therefore made out of one seamless steel surface, without gaps or interstices. A great plus in terms of hygiene.

Deep bowls This bowls reach an important depth, over 20 cm, thanks to the advanced production technology, that can be offer great capieny and practicity in all the washing operations.

High thickness 1mm thick steel. A significant thickness, which guarantees the maximum sturdiness and durability.

Perimetral overflow The overflow is always a security on the Foster sinks that prevents the overflow of water in case of oversights. The perimeter drain solution improves aesthetics thanks to its square and essential shape.

Save space system

Drain and siphon are designed to leave as much space as possible in the under-sink area, more and more useful today for theseparate waste collection systems.

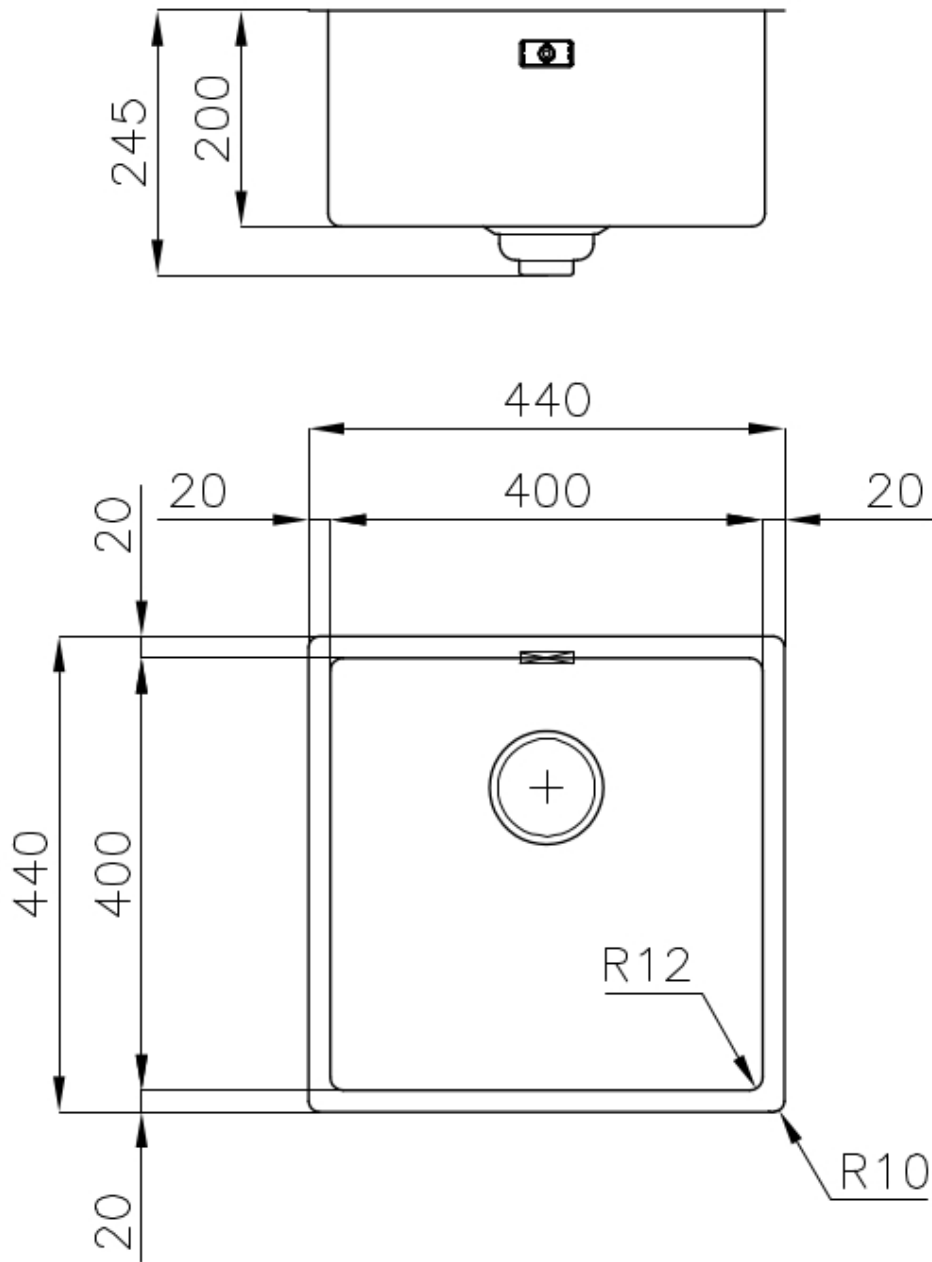
Small radius

Bowls with squared shapes with a modern design and an increased capacity, for a minimal aesthetics connected with an extreme praticity.

Space waste fitting

The elegant SPACE steel cap closes the drain and leaves no visible residues collected in the basket below. Space also has a small footprint and allows the optimal use of the under-sink compartment.

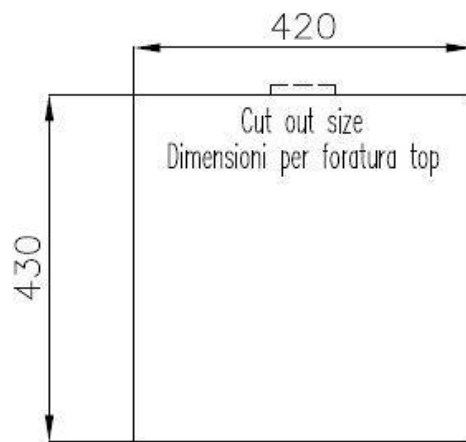
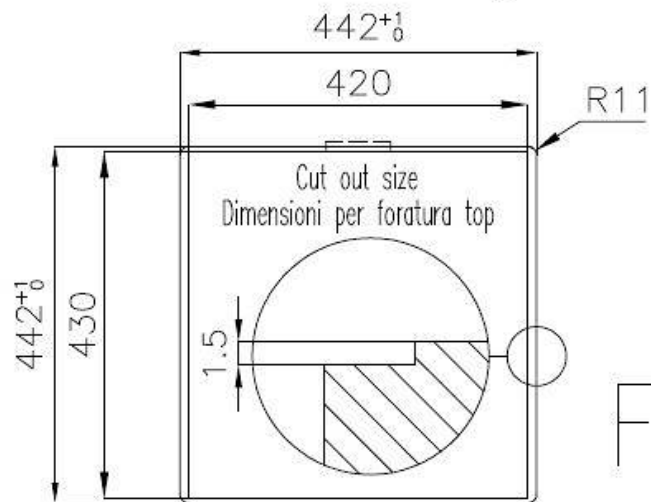
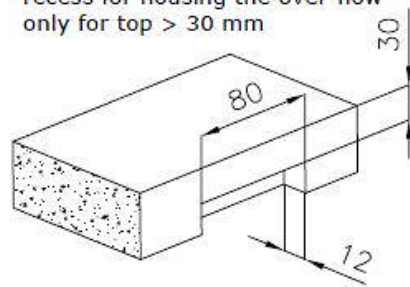
TECHNICAL DATA



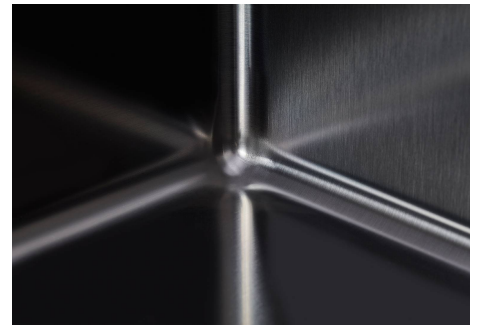
Lavello / Sink cod. 4456/046

intaglio per il troppo-pieno
solo con top > 30 mm

recess for housing the over-flow
only for top > 30 mm



GALLERY



OPTIONAL ACCESSORIES



PLANCHE DE DECOUPE CRYSTAL
23x41 CM
A631 C00



PLANCHE DE DECOUPE DOUBLE
HDPE
A644 A01



PLANCHE DE DECOUPE DOUBLE
IROKO
A644 F04



CUVETTE PERFOREE INOX
A154 F00

* only in combination with the accessory
A644 F04



CUVETTE PLASTIQUE BLANCHE
A153 A00



GRILLE PORTE-ASSIETTES INOX
25x35

A100 A54
* only in combination with the accessory
A644 F04



KIT RÂPES ET PLANCHE DE DECOUPE HDPE

A159 A01

* only in combination with the accessory
A644 A01



CUVETTE INOX PERFOREE

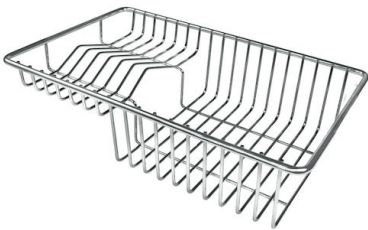
A151 F00

* only in combination with the accessory
A644 A01



PANIER INOX POUR CUVE 34x40 CM

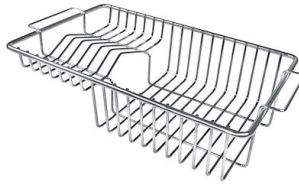
A611 F00



GRILLE POR.ASSIETTES INOX mm214x379

A100 C03

* only in combination with the accessory
A644 A01



GRILLE PORTE-ASSIETTES INOX 250x425

A100 B01

RECOMMENDED PAIRINGS



INCISO GUN METAL

R424 S56