

INTRIGO 400

Kitchen Sinks

Code: N456 F40

VASCA INTRIGO mm 400x400 R12 À FLEUR



DETAILS

Edge/Installation Type	Flush-mount Top-mount
Material	AISI 304 stainless steel
Texture	Foster brushed
Base	45 cm
Dimensions	440x440 mm
Standard fittings	Fixing hooks, gasket, drain, overflow and siphon, boxed packing
Mixer holes	No standard holes
Built-in hole	View technical data sheet
Drainer	No

Width 44 cm

Bowl dimension 400 x 400 mm

Number of bowls 1 bowl

Waste fitting Drain SPACE 3,5"

Notes: As the product consists of a single seamless steel surface with no gaps or interstices, the use of garbage disposal and waste fitting with automatic control is not permitted.

FEATURES

ONE SEAMLESS STEEL SURFACE The waste-fitting and overflow are moulded on the sink. The product is therefore made out of one seamless steel surface, without gaps or interstices. A great plus in terms of hygiene.

Deep bowls This bowls reach an important depth, over 20 cm, thanks to the advanced production technology, that can be offer great capiciency and practicity in all the washing operations.

High thickness 1mm thick steel. A significant thickness, which guarantees the maximum sturdiness and durability.

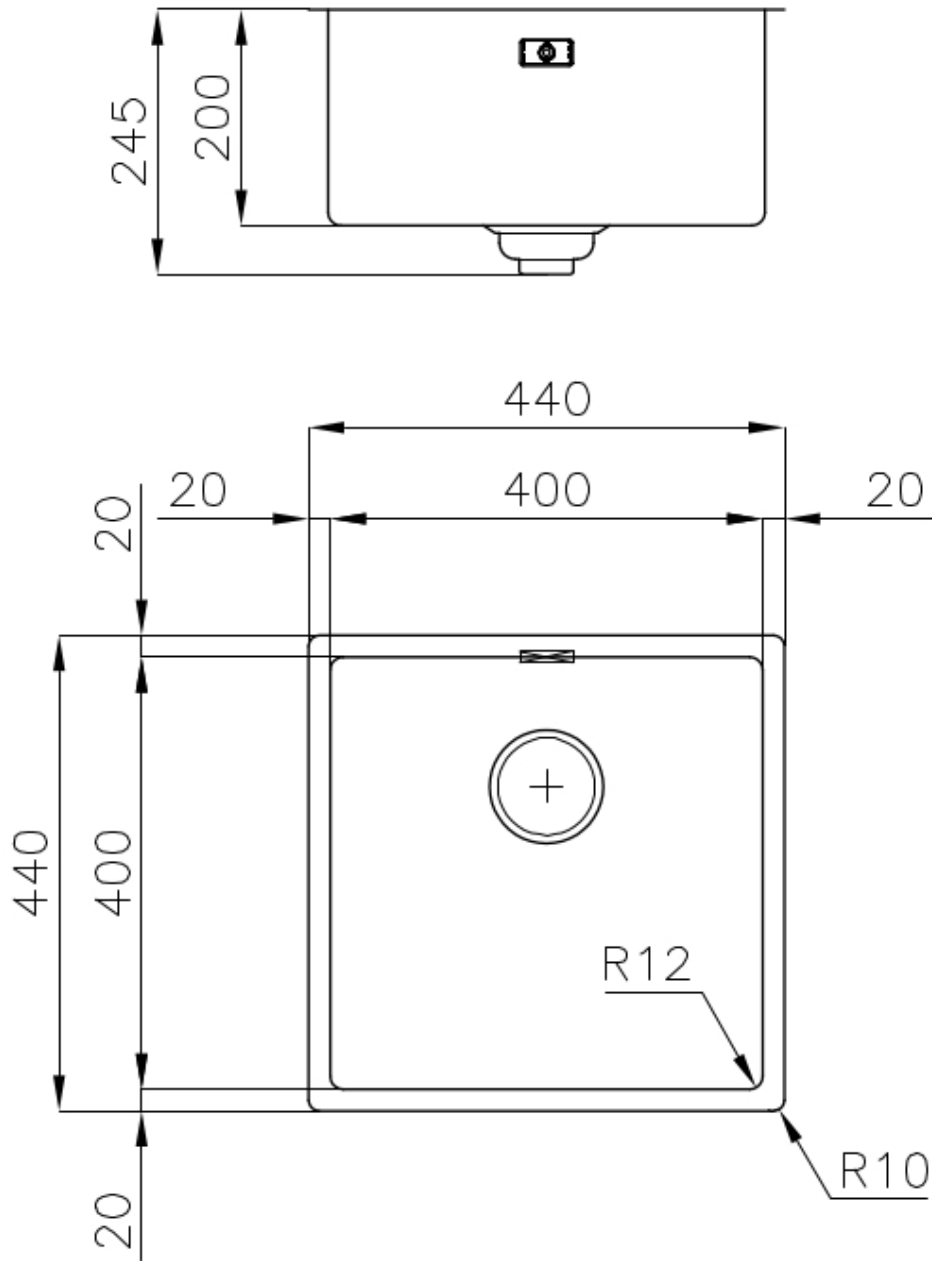
Perimetral overflow The overflow is always a security on the Foster sinks that prevents the overflow of water in case of oversights. The perimeter drain solution improves aesthetics thanks to its square and essential shape.

Save space system Drain and siphon are designed to leave as much space as possible in the under-sink area, more and more useful today for theseparate waste collection systems.

Small radius Bowls with squared shapes with a modern design and an increased capacity, for a minimal aesthetics connected with an extreme practicity.

Space waste fitting The elegant SPACE steel cap closes the drain and leaves no visible residues collected in the basket below. Space also has a small footprint and allows the optimal use of the under-sink compartment.

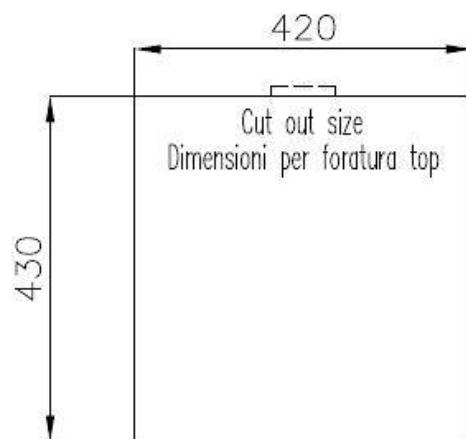
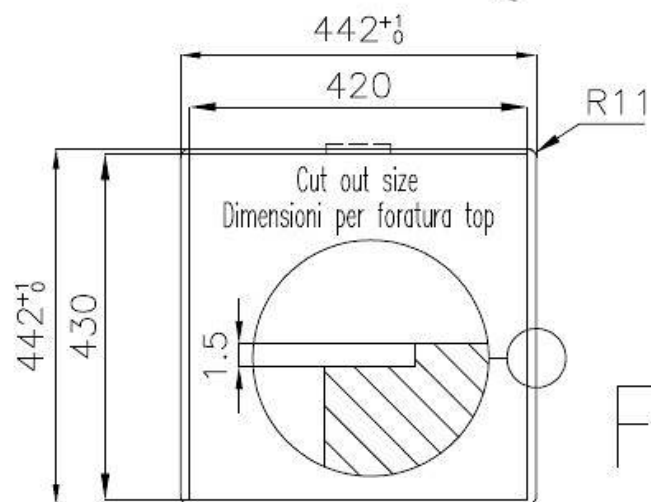
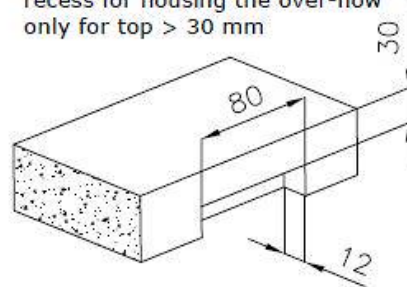
TECHNICAL DATA



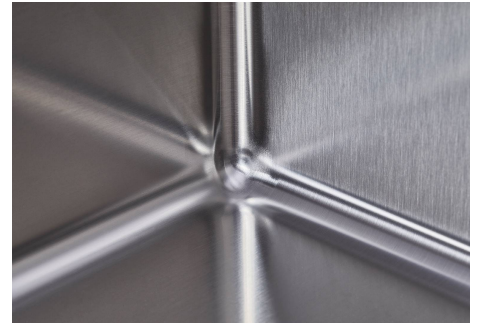
Lavello / Sink cod. 4456/040

intaglio per il troppo-pieno
solo con top > 30 mm

recess for housing the over-flow
only for top > 30 mm



GALLERY



OPTIONAL ACCESSORIES



PLANCHE DE DECOUPE CRYSTAL
23x41 CM
A631 C00



PLANCHE DE DECOUPE DOUBLE
HDPE
A644 A01



PLANCHE DE DECOUPE DOUBLE
IROKO
A644 F44



CUVETTE PERFOREE INOX
A154 F00

* only in combination with the accessory
A644 F04



PLANCHE DE DECOUPE DOUBLE
IROKO
A644 F04



CUVETTE PLASTIQUE BLANCHE
A153 A00



**GRILLE PORTE-ASSIETTES INOX
25x35**

A100 A54

* only in combination with the accessory
A644 F04



**KIT RÂPES ET PLANCHE DE
DECOUPE HDPE**

A159 A01

* only in combination with the accessory
A644 A01



CUVETTE INOX PERFOREE

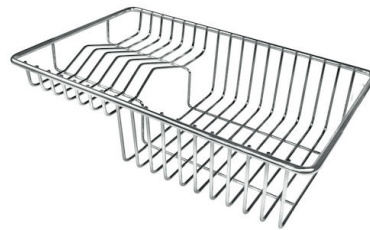
A151 F00

* only in combination with the accessory
A644 A01



**PANIER INOX POUR CUVE 34x40
CM**

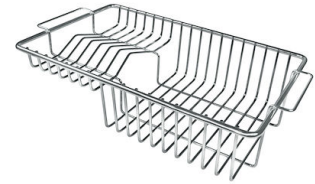
A611 F00



**GRILLE POR.ASSIETTES INOX
mm214x379**

A100 C03

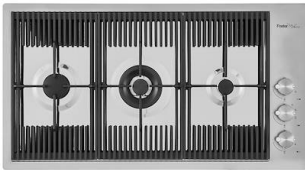
* only in combination with the accessory
A644 A01



**GRILLE PORTE-ASSIETTES INOX
250x425**

A100 B01

RECOMMENDED PAIRINGS



MILANO 3 BRULEURS

G680 F00