

## UNIKA 270 SOUS PLAN

Kitchen Sinks

Code: N252 S50

UNIKA R15 BOWL 270x400 SOUSPLAN



### DETAILS

Edge/Installation Type	Undermount
Finish	Foster brushed
Material	AISI 304 stainless steel
Texture	Foster brushed
Base	40 cm
Dimensions	310x440 mm
Standard fittings	Fixing hooks, gasket, drain, overflow and siphon, boxed packing
Mixer holes	No standard holes
Built-in hole	View technical data sheet

Drainer No

---

Width 31 cm

---

Bowl dimension 270x400mm

---

Number of bowls 1 bowl

---

Waste fitting 3,5" drain

---

## FEATURES

**Basket 3,5" waste fitting** The drain is equipped with a large 3.5" drain, with the practical basket cap that prevents the discharge of solid parts.

---

**High thickness** 1mm thick steel. A significant thickness, which guarantees the maximum sturdiness and durability.

---

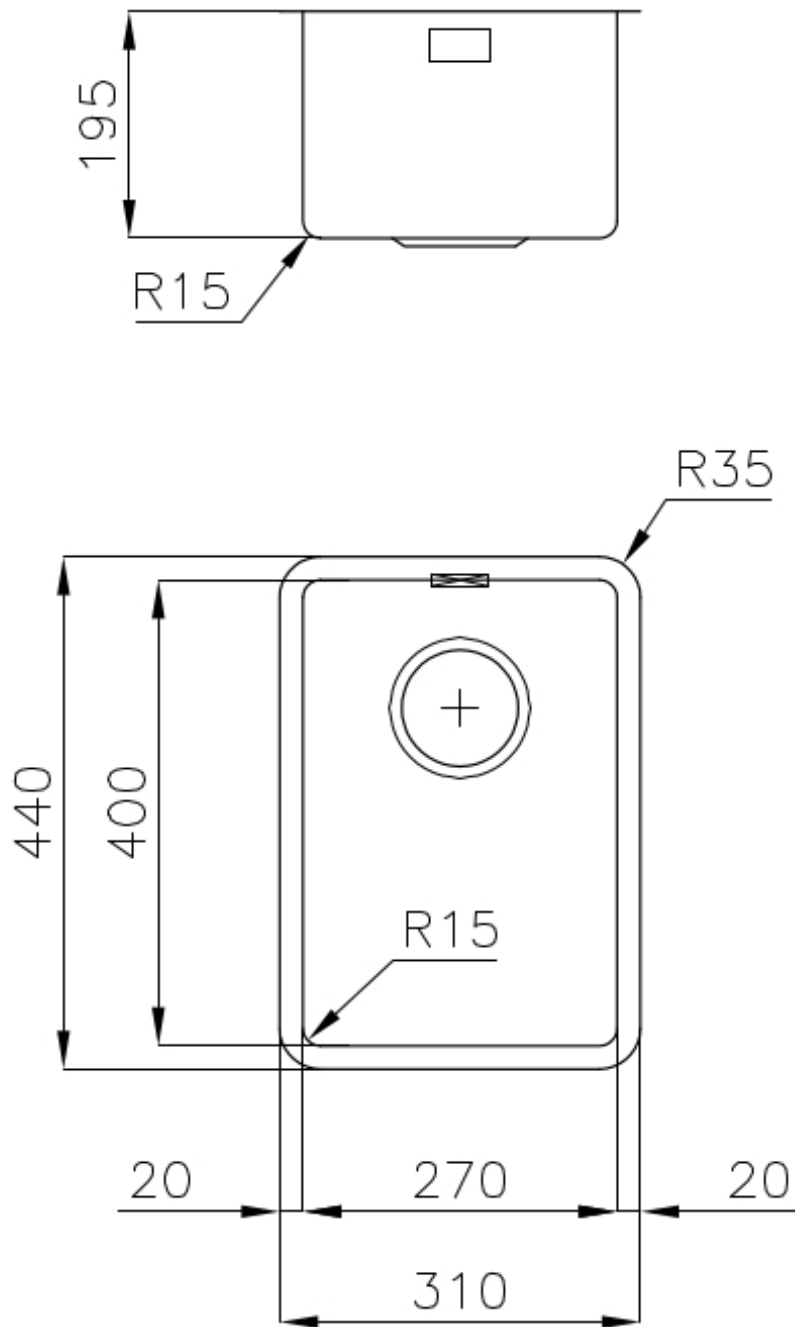
**Perimetral overflow** The overflow is always a security on the Foster sinks that prevents the overflow of water in case of oversights. The perimeter drain solution improves aesthetics thanks to its square and essential shape.

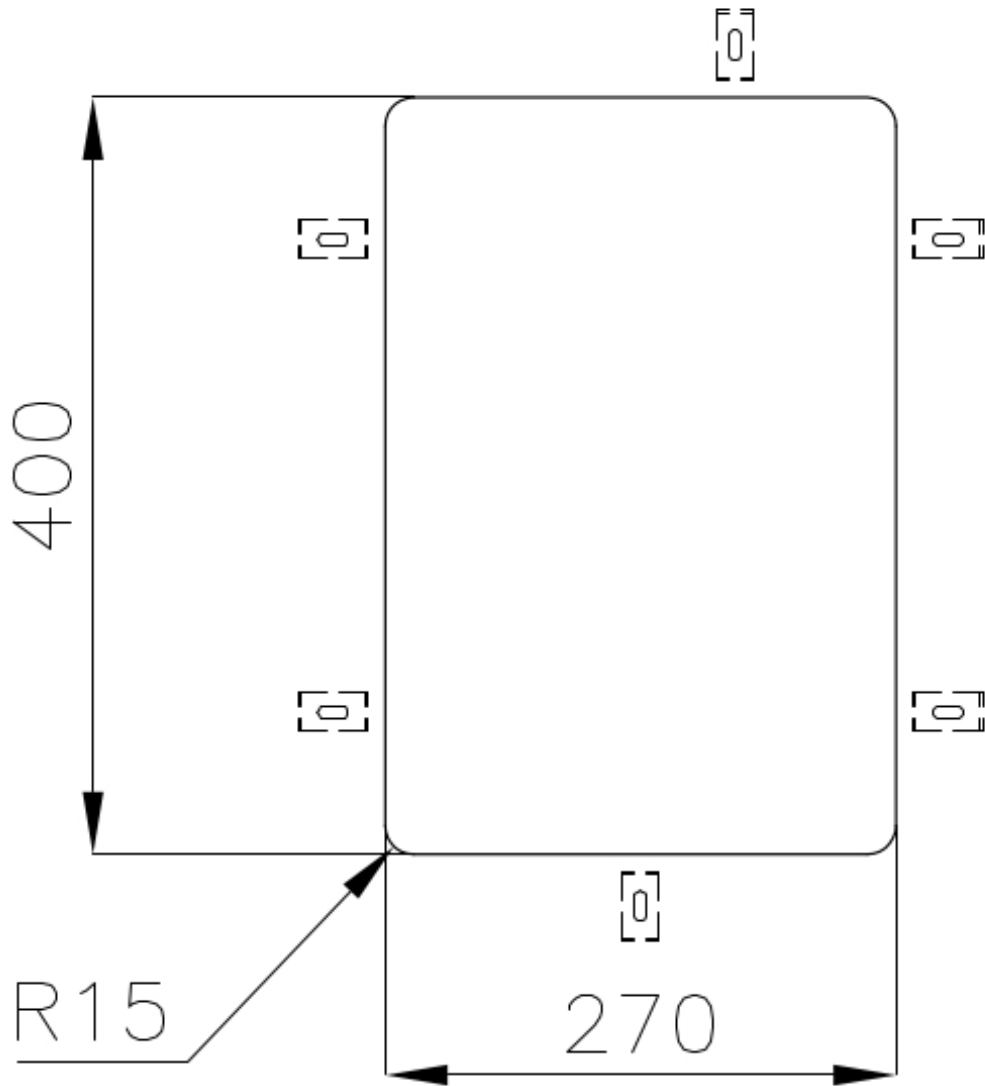
---

**Small radius** Bowls with squared shapes with a modern design and an increased capacity, for a minimal aesthetics connected with an extreme practicality.

---

## TECHNICAL DATA





Cut out size  
Dimensioni per foratura top

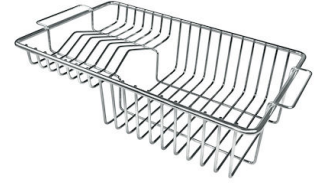
## OPTIONAL ACCESSORIES



**PLANCHE DE DECOUPE CRYSTAL**  
**23x41 CM**  
A631 C00



**PLANCHE DE DECOUPE HDPE**  
**27x42 CM**  
A657 F01



**GRILLE PORTE-ASSIETTES INOX**  
**250x425**  
A100 B01

## OPTIONAL AUTOMATIC WASTE FITTINGS



**VIDAGE FADE LIGHT**  
A407 A17



**VIDAGE FADE PUSH INOX**  
A407 A16