

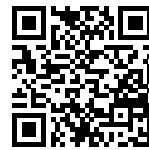
UNIKA 610 DOUBLE GAUCHE SOUS PLAN (FR)



Kitchen Sinks

Code: N202 S52

UNIKA R15 SINK 660x450 SOUSPLAN 2 CUVES GAUCHE



DETAILS

| | |
|------------------------|---|
| Edge/Installation Type | Undermount |
| Finish | Foster brushed |
| Material | AISI 304 stainless steel |
| Texture | Foster brushed |
| Base | 80 cm |
| Dimensions | 660 x 450 mm |
| Standard fittings | Fixing hooks, gasket, drain, overflow and siphon, boxed packing |
| Mixer holes | No standard holes |
| Built-in hole | View technical data sheet |

Drainer No

Width 66 cm

Bowl dimension 400x400 + 180x400 mm

Number of bowls 2 bowls

Waste fitting 3,5" drain

FEATURES

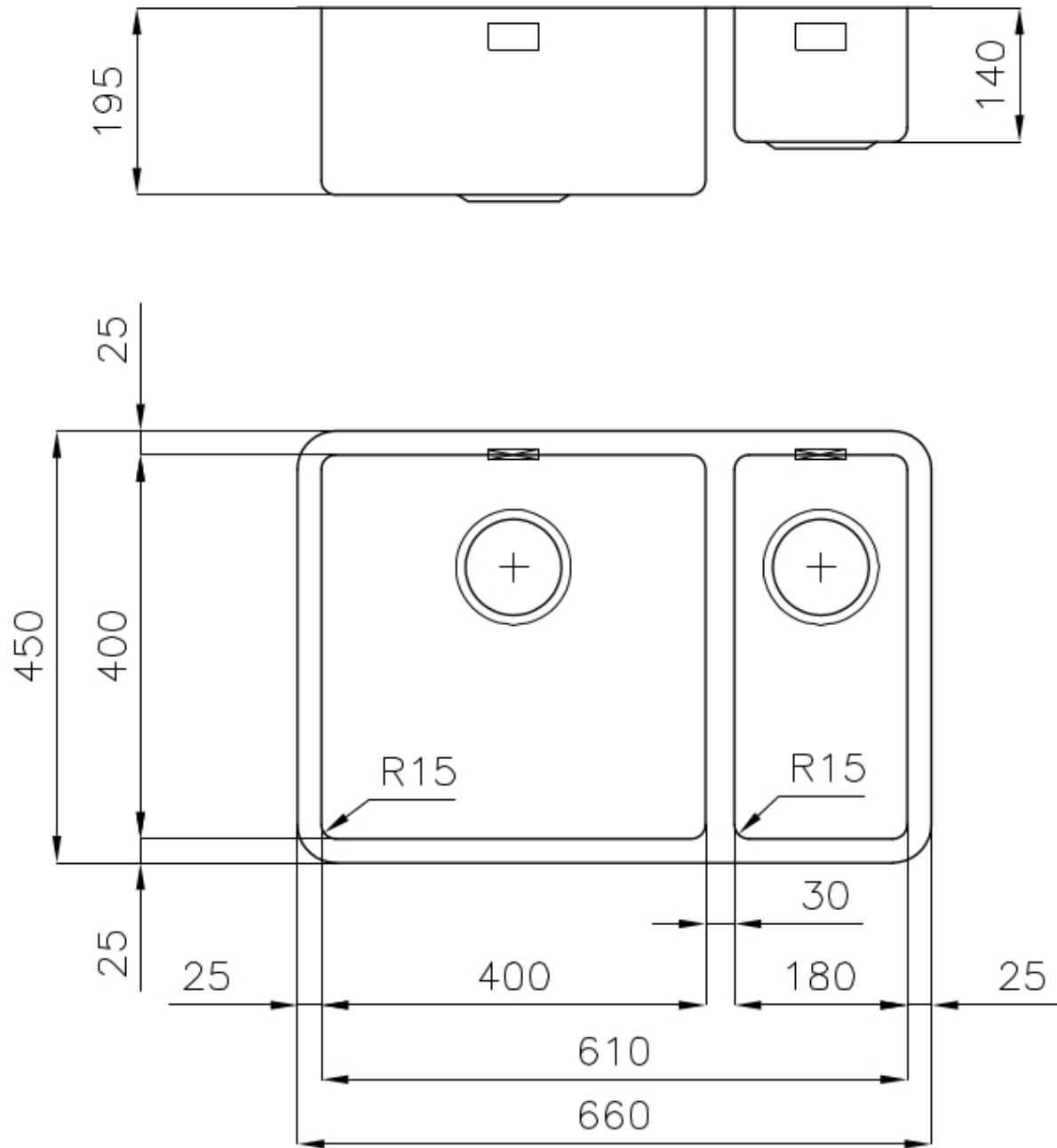
Basket 3,5" waste fitting The drain is equipped with a large 3.5" drain, with the practical basket cap that prevents the discharge of solid parts.

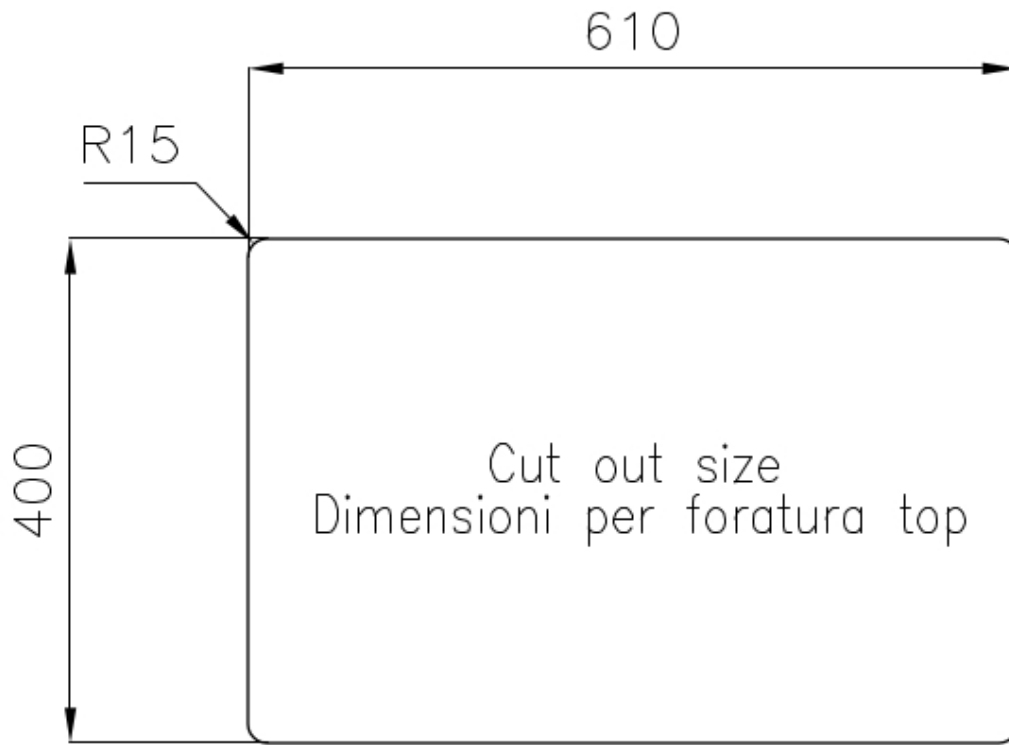
High thickness 1mm thick steel. A significant thickness, which guarantees the maximum sturdiness and durability.

Perimetral overflow The overflow is always a security on the Foster sinks that prevents the overflow of water in case of oversights. The perimeter drain solution improves aesthetics thanks to its square and essential shape.

Small radius Bowls with squared shapes with a modern design and an increased capacity, for a minimal aesthetics connected with an extreme practicality.

TECHNICAL DATA





OPTIONAL ACCESSORIES



CUVETTE PERFOREE INOX

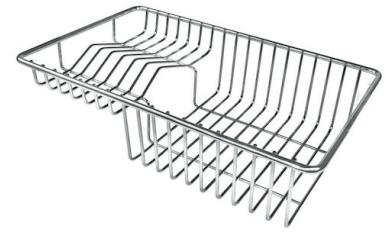
A154 F00

* only in combination with the accessory
A644 F04



CUVETTE PLASTIQUE BLANCHE

A153 A00



GRILLE POR.ASSIETTES INOX
mm214x379

A100 C03

* only in combination with the accessory
A644 A01



GRILLE PORTE-ASSIETTES INOX
25x35

A100 A54

* only in combination with the accessory
A644 F04



PLANCHE DE DECOUPE CRYSTAL
23x41 CM

A631 C00



PLANCHE DE DECOUPE DOUBLE
HDPE

A644 A01



PLANCHE DE DECOUPE DOUBLE
IROKO

A644 F04



PLANCHE DE DECOUPE HDPE
27x42 CM

A657 F01



CUVETTE INOX PERFOREE

A151 F00

* only in combination with the accessory
A644 A01



GRILLE PORTE-ASSIETTES INOX
250x425

A100 B01



KIT RÂPES ET PLANCHE DE
DECOUPE HDPE

A159 A01

* only in combination with the accessory
A644 A01

OPTIONAL AUTOMATIC WASTE FITTINGS



VIDAGE FADE LIGHT
A407 A17



VIDAGE FADE PUSH INOX
A407 A16