

## UNIKA 710 VINTAGE GUN METAL



Kitchen Sinks

Code: N157 F86

UNIKA 710x400 À FLEUR VINTAGE GUNMETAL



### DETAILS

Coloring Gun Metal

---

Edge/Installation Type Flush-mount | Top-mount

---

Finish PVD

---

Material AISI 304 stainless steel

---

Texture Vintage

---

Base 80 cm

---

Dimensions 750 x 440 mm

---

Standard fittings Fixing hooks, gasket, drain, overflow and siphon, boxed packing

---

Mixer holes No standard holes

Built-in hole [View technical data sheet](#)

---

Drainer No

---

Width 75 cm

---

Bowl dimension 710 x 400 mm

---

Number of bowls 1 bowl

---

Waste fitting 3,5" drain

---

## FEATURES

**Basket 3,5" waste fitting** The drain is equipped with a large 3.5" drain, with the practical basket cap that prevents the discharge of solid parts.

---

**Gun Metal** The Gun Metal finish is obtained by treating steel with a physical process called PVD (Physical Vacuum Deposition) which deposits particles of noble metals on the surface. The result is a unique and refined aesthetic effect, and an improvement of the mechanical properties of the steel which is more resistant to impact and scratches.

---

**High thickness** 1mm thick steel. A significant thickness, which guarantees the maximum sturdiness and durability.

---

**Perimetral overflow** The overflow is always a security on the Foster sinks that prevents the overflow of water in case of oversights. The perimeter drain solution improves aesthetics thanks to its square and essential shape.

---

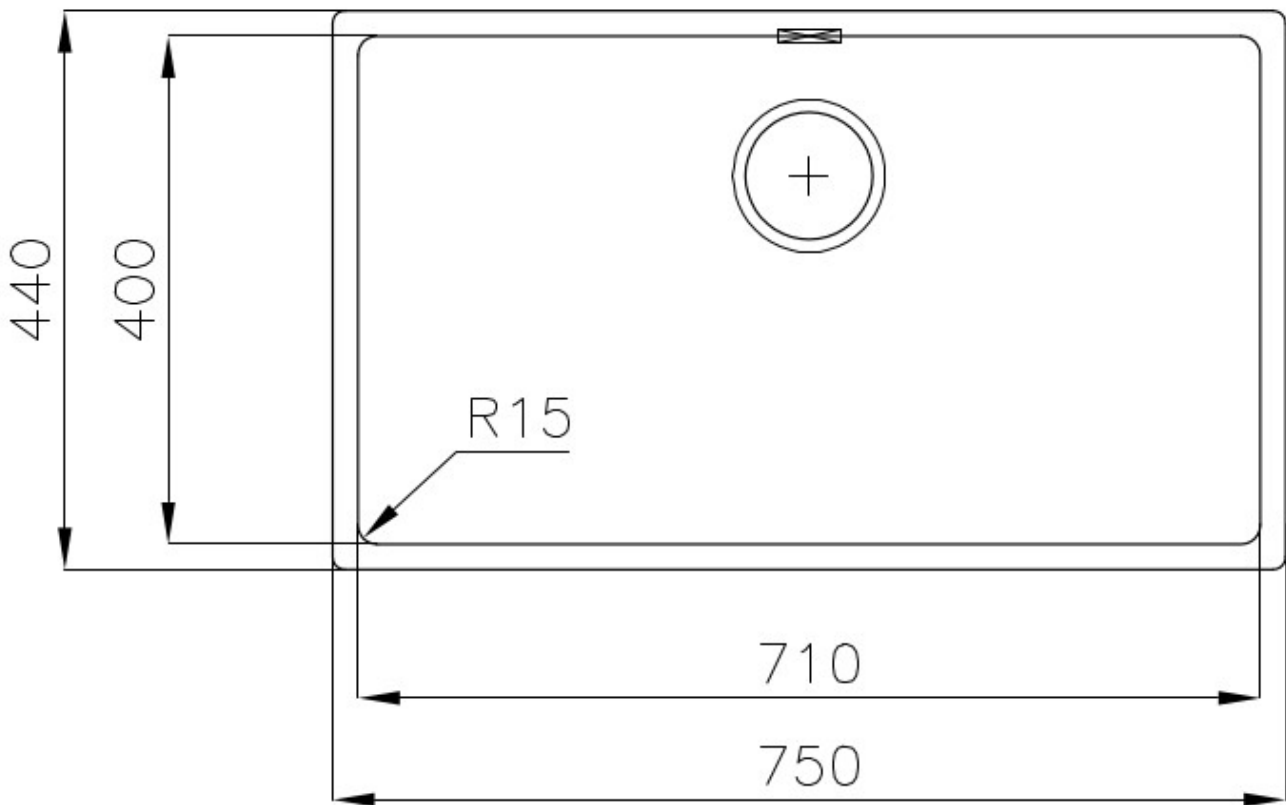
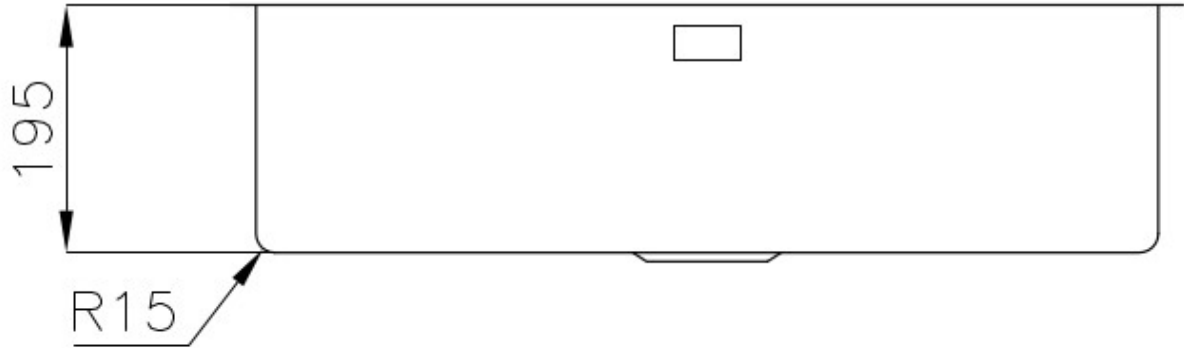
**Small radius** Bowls with squared shapes with a modern design and an increased capacity, for a minimal aesthetics connected with an extreme practicality.

---

**VINTAGE PVD** The prestigious PVD finish combines with the care for detail of the Vintage finish, to create a combination of unique elegance.

---

## TECHNICAL DATA



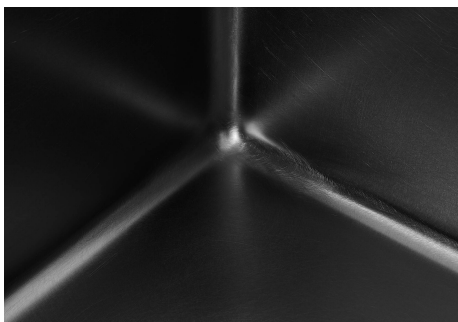


Intaglio per il troppo-pieno  
Recess for housing the over-flow



- Built-in cut out for FTS – Foratura per installazione FTS

## GALLERY



## OPTIONAL ACCESSORIES



**CUVETTE PERFOREE INOX**

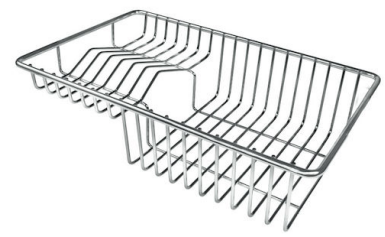
A154 F00

\* only in combination with the accessory  
A644 F04



**CUVETTE PLASTIQUE BLANCHE**

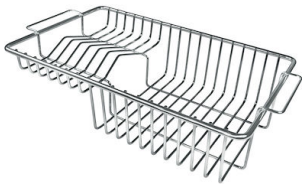
A153 A00



**GRILLE POR.ASSIETTES INOX  
mm214x379**

A100 C03

\* only in combination with the accessory  
A644 A01



**GRILLE PORTE-ASSIETTES INOX**

**250x425**

A100 B01



**GRILLE PORTE-ASSIETTES INOX**

**25x35**

A100 A54

\* only in combination with the accessory  
A644 F04



**PLANCHE DE DECOUPE CRYSTAL**

**23x41 CM**

A631 C00



**PLANCHE DE DECOUPE DOUBLE  
HDPE**

A644 A01



**PLANCHE DE DECOUPE DOUBLE  
IROKO**

A644 F04



**PLANCHE DE DECOUPE HDPE**

**27x42 CM**

A657 F01



## **CUVETTE INOX PERFOREE**

A151 F00

\* only in combination with the accessory  
A644 A01



## **KIT RÂPES ET PLANCHE DE DECOUPE HDPE**

A159 A01

\* only in combination with the accessory  
A644 A01