

## SUPPORT DE PRISE VERSO VINTAGE

Built-in socket

Code: A000 A17

SUPPORT DE PRISE VERSO VINTAGE



### DETAILS

Material AISI 304 stainless steel

---

Texture Vintage

---

Built-in hole 215x88 mm

---

Notes: It's advisable to keep a distance of 40 cm from sinks or cooking hobs (protection index IP20)

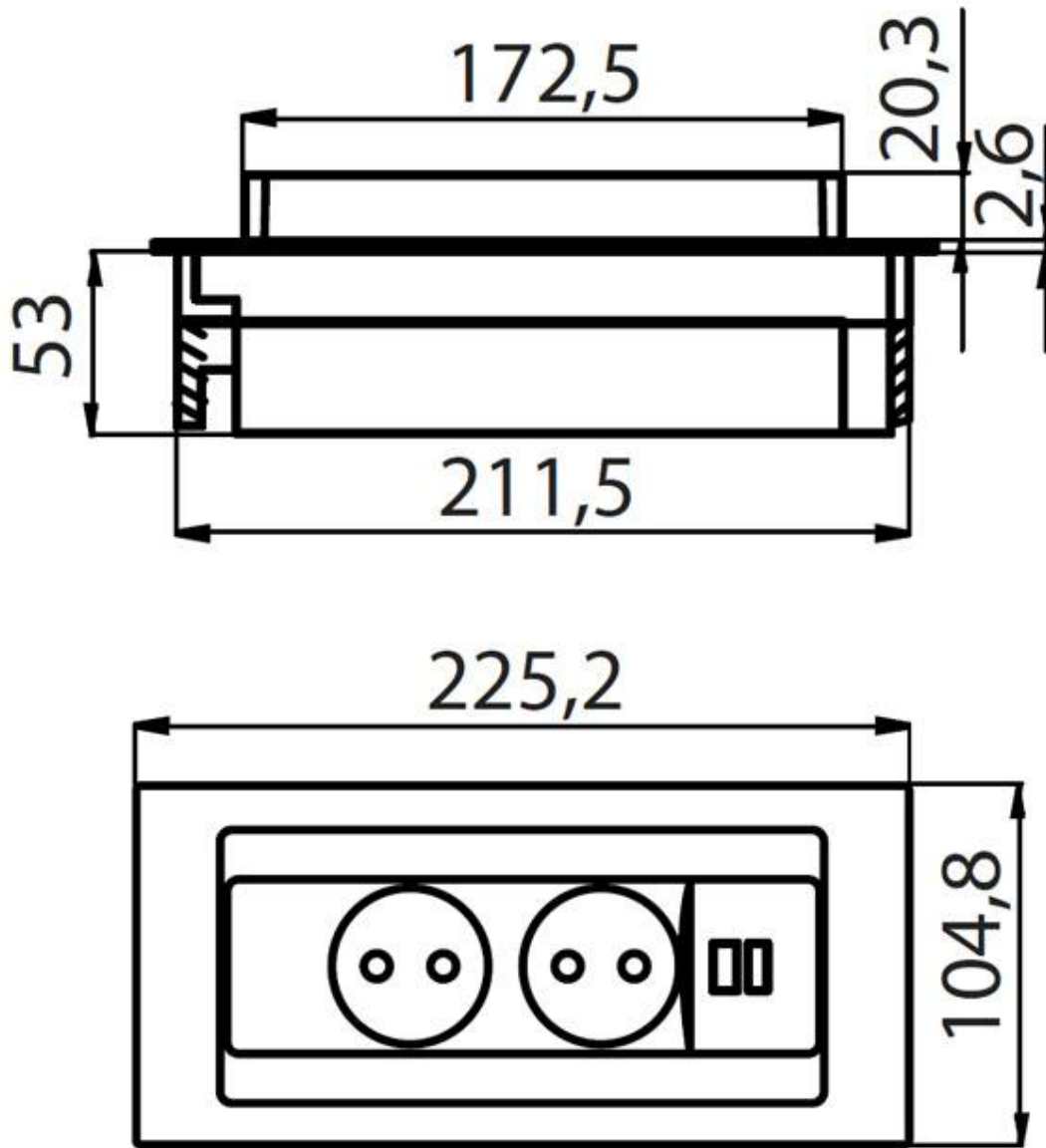
---

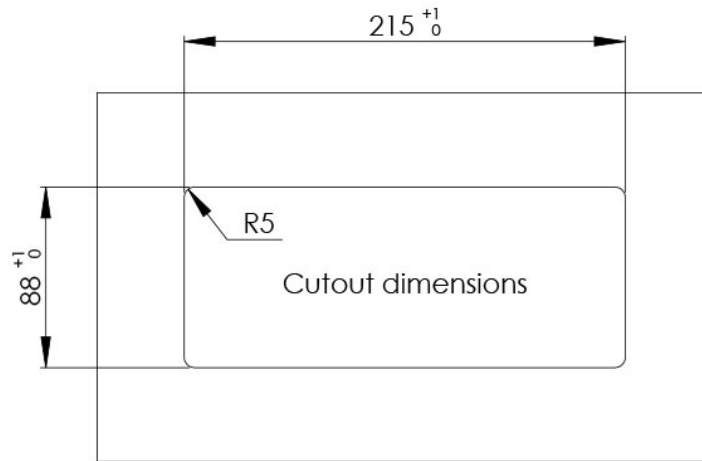
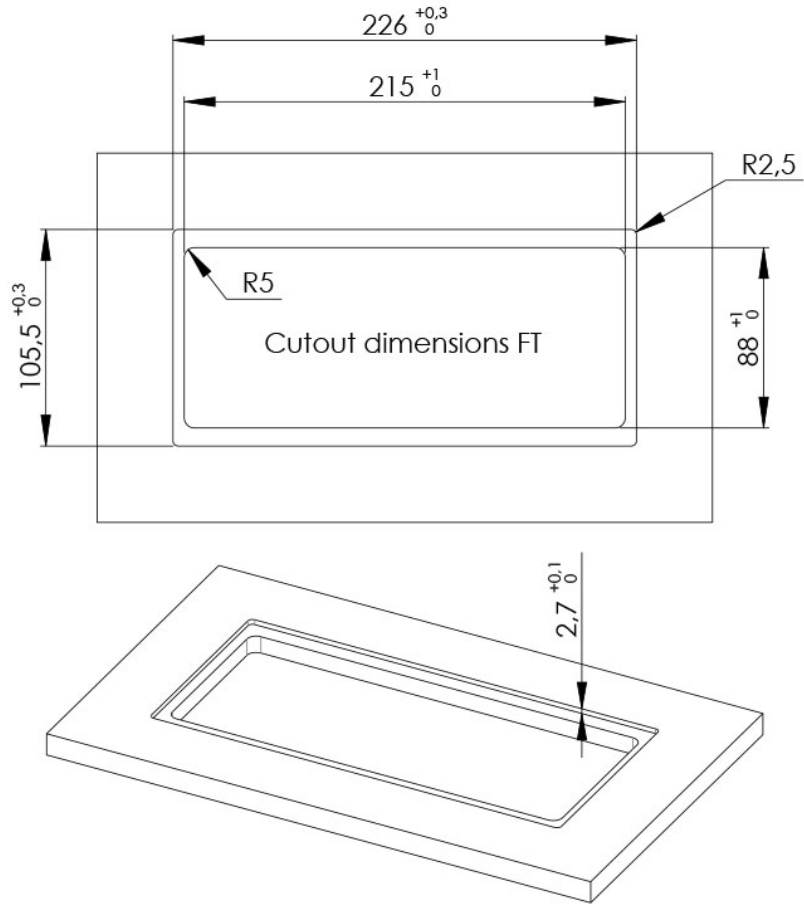
### FEATURES

VINTAGE The Vintage finish gives the product a long-lived and elegant look, creating a surface that does not fear scratches.

---

### TECHNICAL DATA





## GALLERY

