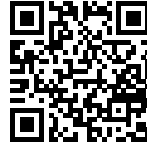


Insieme Induction

Freestanding

Code: 7555 017



DETAILS

Type Induction Hob

Material Stainless steel AISI 316 L with alveolar aluminum support

Framework Carbon steel welded tubular structure with painting cycle for outdoor use
Lid / sliding table in HPL with anti-closing system
Retractable socket holder (230V 16A IP66)
4 wheels (2 with block)
4 adjustable feet for laying on the ground

Cover HPL wood effect

Texture Brushed in line

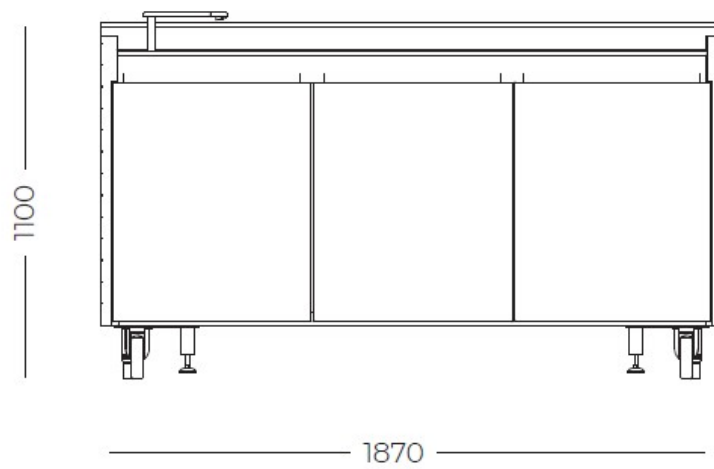
Dimensions (open) 187 x 155 x (h) 110 cm

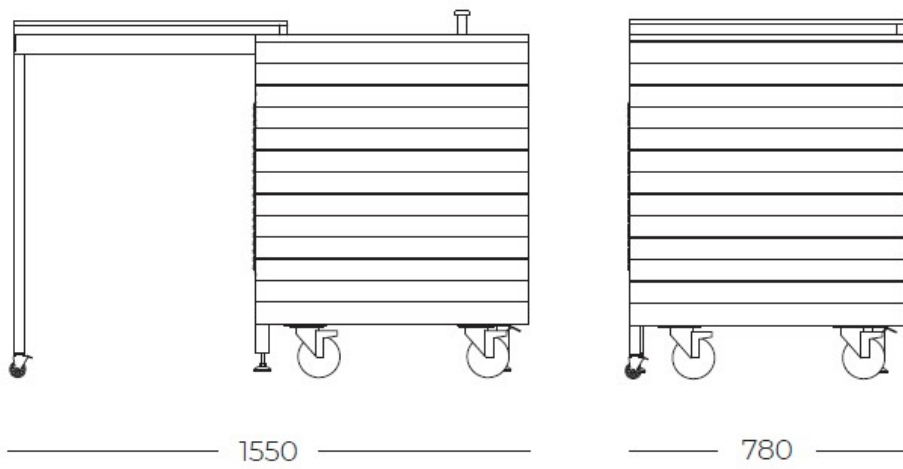
Dimensions (closed) 187 x 78 x (h) 110 cm

Wheels Yes

By request	Welded tubular structure in AISI 316L stainless steel
Foster integrated products	7330 241 - S4000 Induction Hob 3 zones in line max power 6.600 W - 230 V 50/60 Hz
Weight	280 kg
Rear features	Electric panel IP66 32A Single-phase wall plug 230V 32A IP66
Front door equipment	60l undercounter refrigerator (class C) Compartment with shelf in HPL / stainless steel Pull-out drawer with differentiated story with 4 compartments
Accessories supplied	Waterproof PVC sheet (650 g / m2)

TECHNICAL DATA





GALLERY

