

Insieme Sink + induction

Freestanding

Code: 7555 007



DETAILS

Type Sink + Induction cooking

Material Stainless steel AISI 316 L with alveolar aluminum support

Framework Carbon steel welded tubular structure with painting cycle for outdoor use
Lid / sliding table in HPL with anti-closing system
Retractable socket holder (230V 16A IP66)
4 wheels (2 with block)
4 adjustable feet for laying on the ground

Cover HPL wood effect

Texture Brushed in line

Dimensions (open) 187 x 155 x (h) 110 cm

Dimensions (closed) 187 x 78 x (h) 110 cm

Weight 295 Kg

Wheels Yes

Foster integrated products 1235 050 - Quadra sink AISI 316
8499 000 Eclipse folding mixer
7341 655 - Induction hob S4000 Domino 2 zones max power 3.700 W 230 V 50/60 Hz

Front door equipment 60l undercounter refrigerator (class C)
Compartment with shelf in HPL / stainless steel
Pull-out drawer with differentiated story with 4 compartments

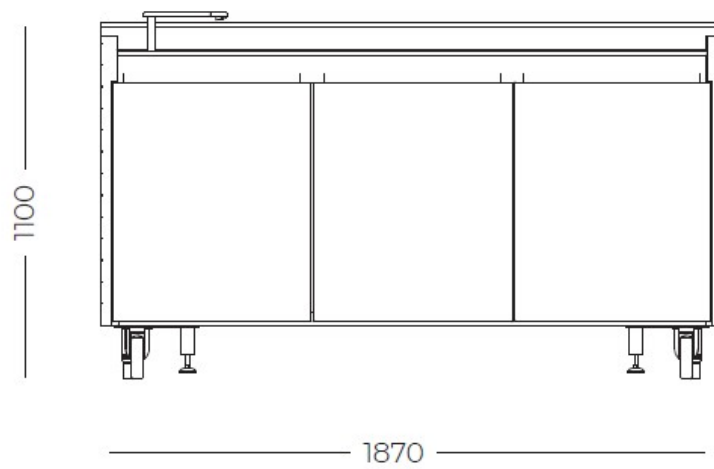
Rear features Electrical panel IP66 32A
Wall-mounted single-phase plug 230V 32A IP66
Hot and cold water connection

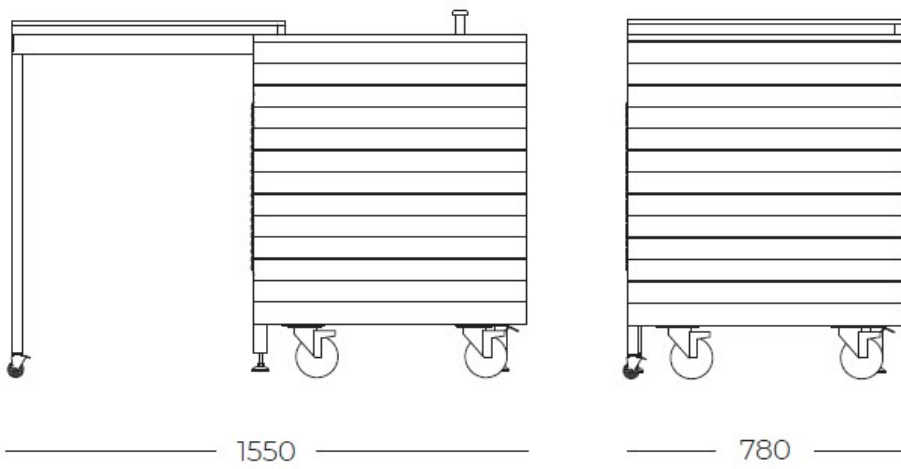
Accessories supplied Waterproof PVC sheet (650 g / m2)

Optional accessories Independent water supply system (50 l tank) positioned in the compartment under the tank

By request Welded tubular structure in AISI 316L stainless steel

TECHNICAL DATA





GALLERY

